

# Wall-Mounted Boiler

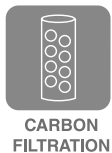
The Wall Mounted Boiler is a high capacity water boiler system that dispenses hot boiling water in offices, shops, factories, hospitals, school staff rooms and similarly busy settings. With the Boiler's sophisticated and reliable system, water temperature will always be efficiently controlled with any steam from the heat up cycle being contained inside this water dispenser's compact boiler.

As part of the boiling cycle, water is heated by an electronic heating element with the temperature being controlled within a pre-set limit. When the boiling water is drawn off, the unit will fill with cold water, allowing for quick and easy temperature control.

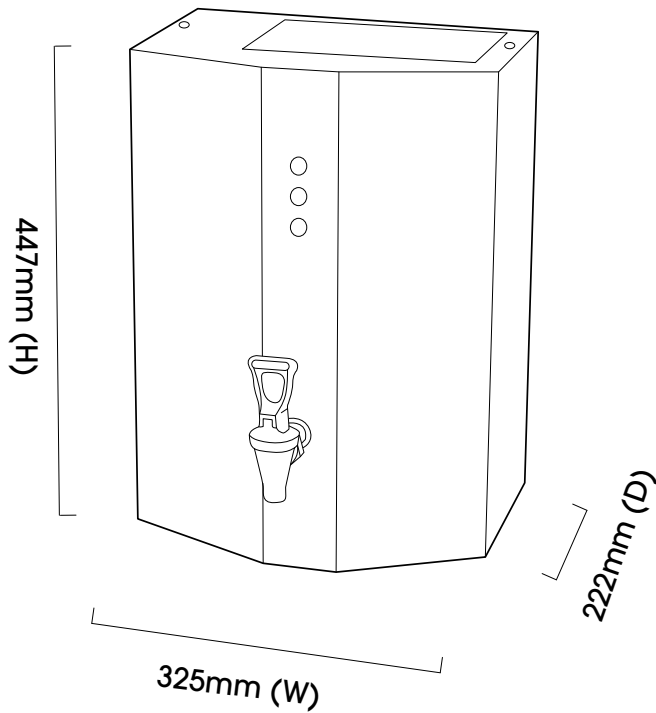
## The energy efficient choice

### Key features

- Precise water temperature control
- Slim wall mounted dispenser
- 5 litres of instant hot water
- White or stainless steel options



## Product details



Water options		Technical features	
Hot only 	Type available	Wall-mounted	
	Colour	Stainless steel or white	
	Capacity	30 cups at a time, up to 163 cups per hour	

### Installation requirements

To ensure that the unit can be installed quickly and smoothly in your proposed location, each unit will require a 13A (240V AC) fused spur which should not be more than one metre from the machine.

Each plumbed water machine needs to be supplied with water from a rising main. The pipework should ideally be no more than one metre from the machine although our in-house service team are able to install machines in the majority of locations.

Pipework must be terminated with a 5mm BS1010.